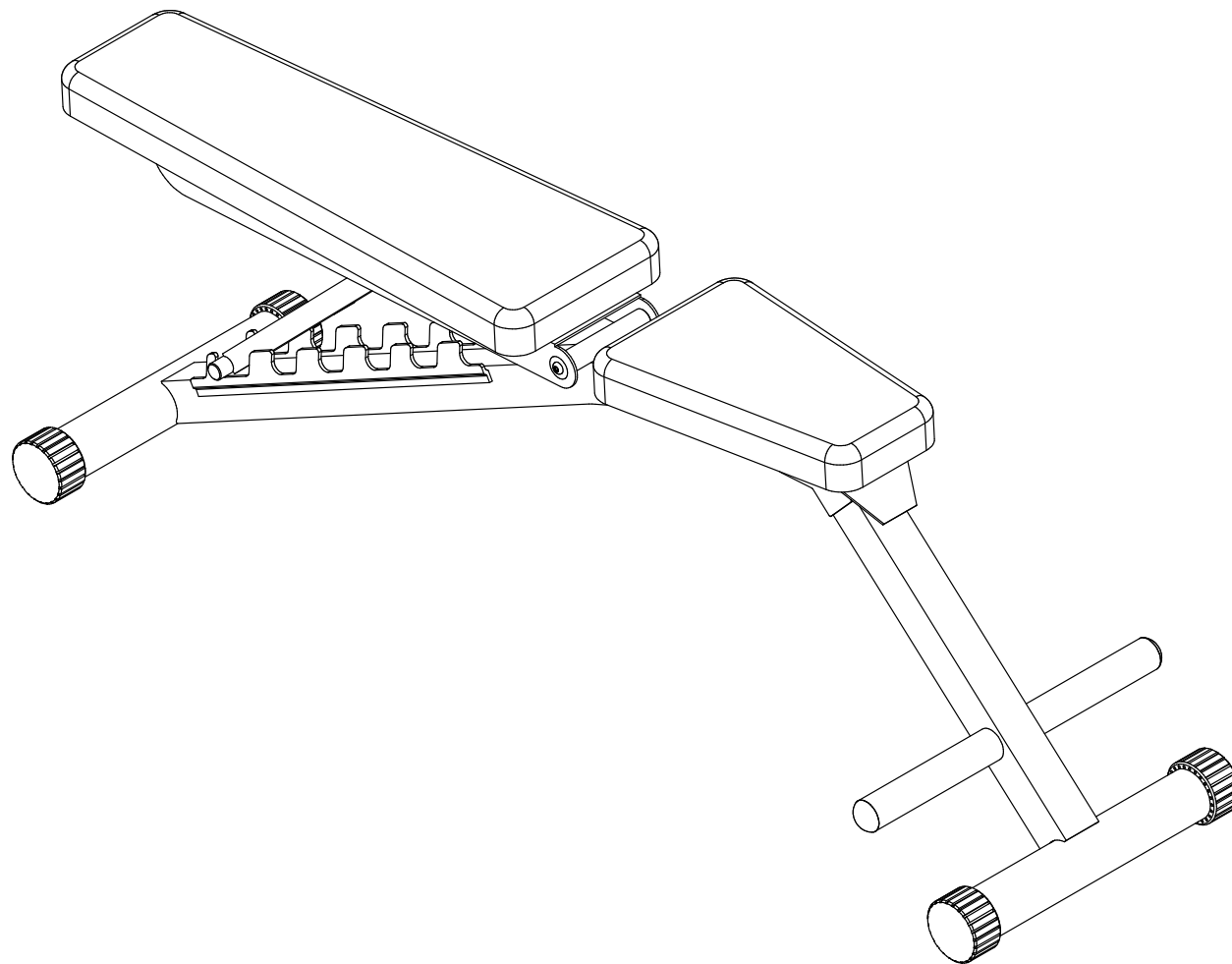


PFID-135X

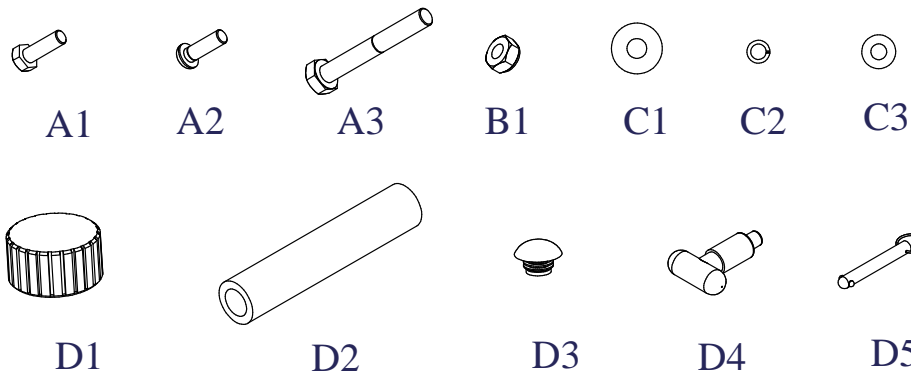


VERSION 0804

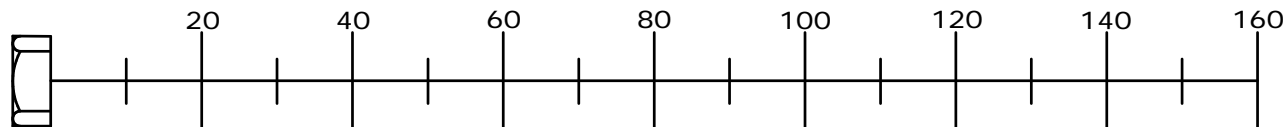
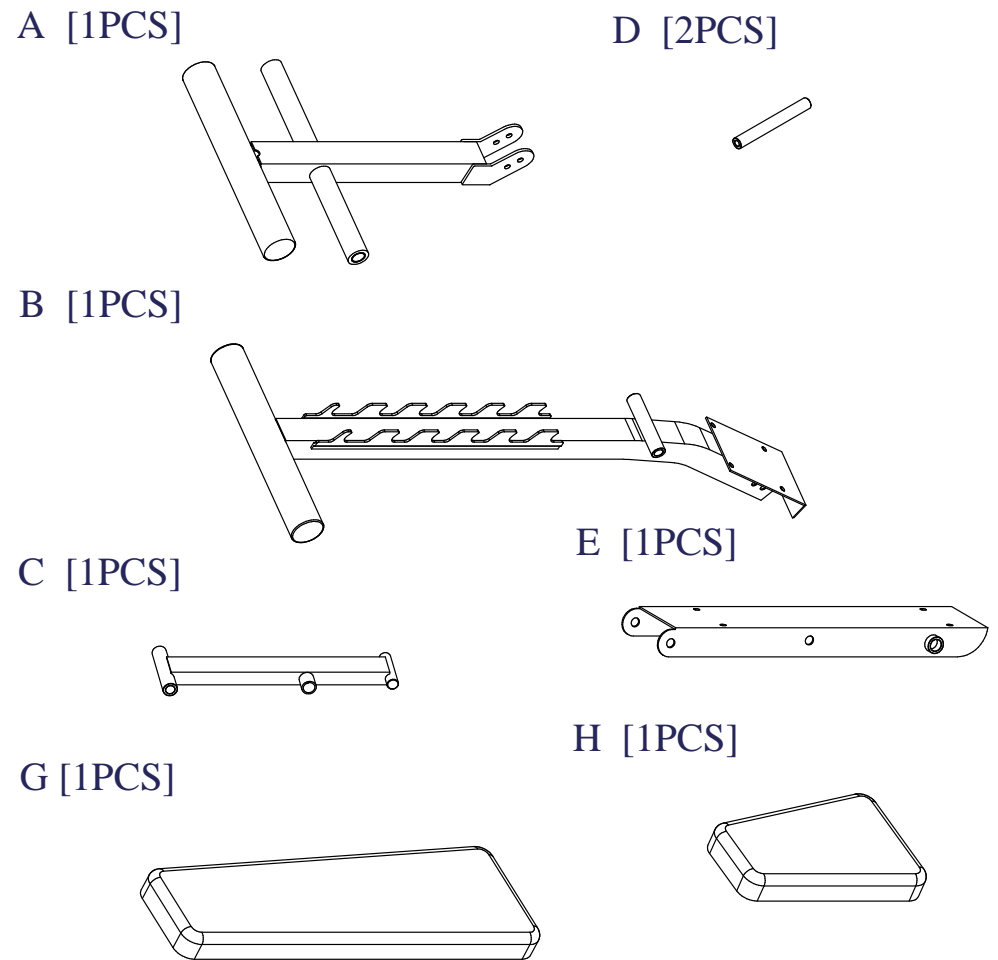
PFID-135X

HARDWARE ILLUSTRATION SHEET

	Qty.
A1. M8X25 HEX HEAD BOLT _____	[8PCS]
A2. M10X25 ALLEN HEAD BOLT _____	[4PCS]
A3. M10X75 HEX HEAD BOLT _____	[1PCS]
B1. M10 NYLON LOCK NUT _____	[1PCS]
C1. M10 WASHER _____	[6PCS]
C2. M8 SPRING WASHER _____	[8PCS]
C3. M8 WASHER _____	[8PCS]
D1. Ø 60 ROUND END CAP (9310-066) _____	[4PCS]
D2. Ø24XØ38 FOAM ROLLER (9162-084) _____	[2PCS]
D3. Ø1" ROUND END CAP (9211-134) _____	[2PCS]
D4. POP PIN (8250-012) _____	[1PCS]
D5. BALL PIN (8250-015) _____	[1PCS]



PARTS ILLUSTRATION SHEET



PFID-135X

